

Product Brochure

The most affordable or nothing.

Main category: Industrial robot arm /Collaborative robot arm /
Electric gripper/Intelligent actuator/Automation solutions



Z-EFG-L

Electric 2-Fingers Parallel Gripper



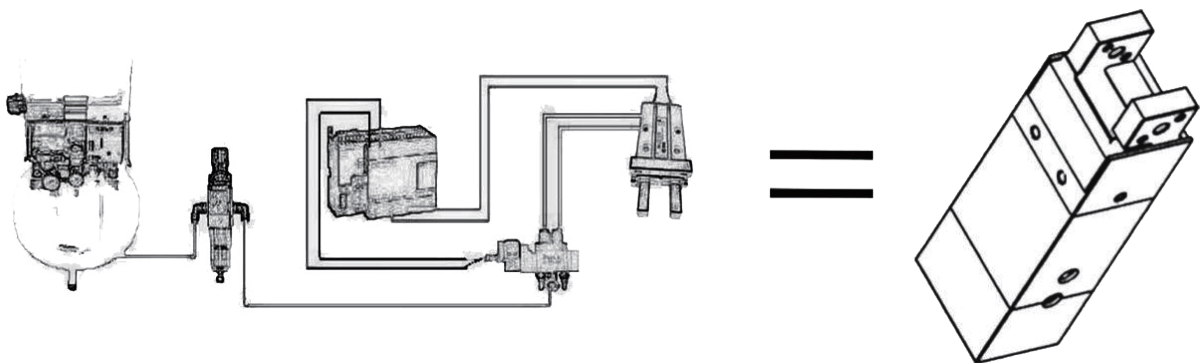
Product Features

- with servo motor
- The end can be replaced to adapt to various needs
- Pick up fragile and deformable objects such as eggs, test tubes, rings, etc.
- Apply for scenes without air source (e.g. laboratory, hospital)

Promoting a revolution in the replacement of pneumatic grippers by electric grippers

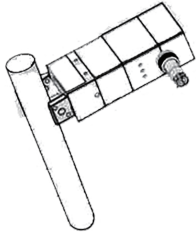
First electric gripper with integrated servo system in China

Highly Integrated

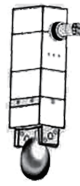


- Perfect replacement for air compressor + filter + solenoid valve + throttle valve + pneumatic gripper
- Multiple cycles service life, consistent with the traditional Japanese cylinder

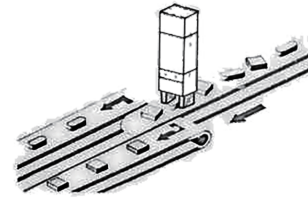
Application Scenes



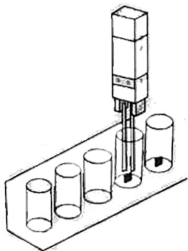
Fragile scene (e.g. test tube)



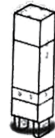
Fragile scene (e.g. eggs)



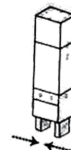
Sorting out things that are arranged in a mess



Gripping in narrow scene



Deformable scene (e.g. rings)



Gripping fragile items at high frequency

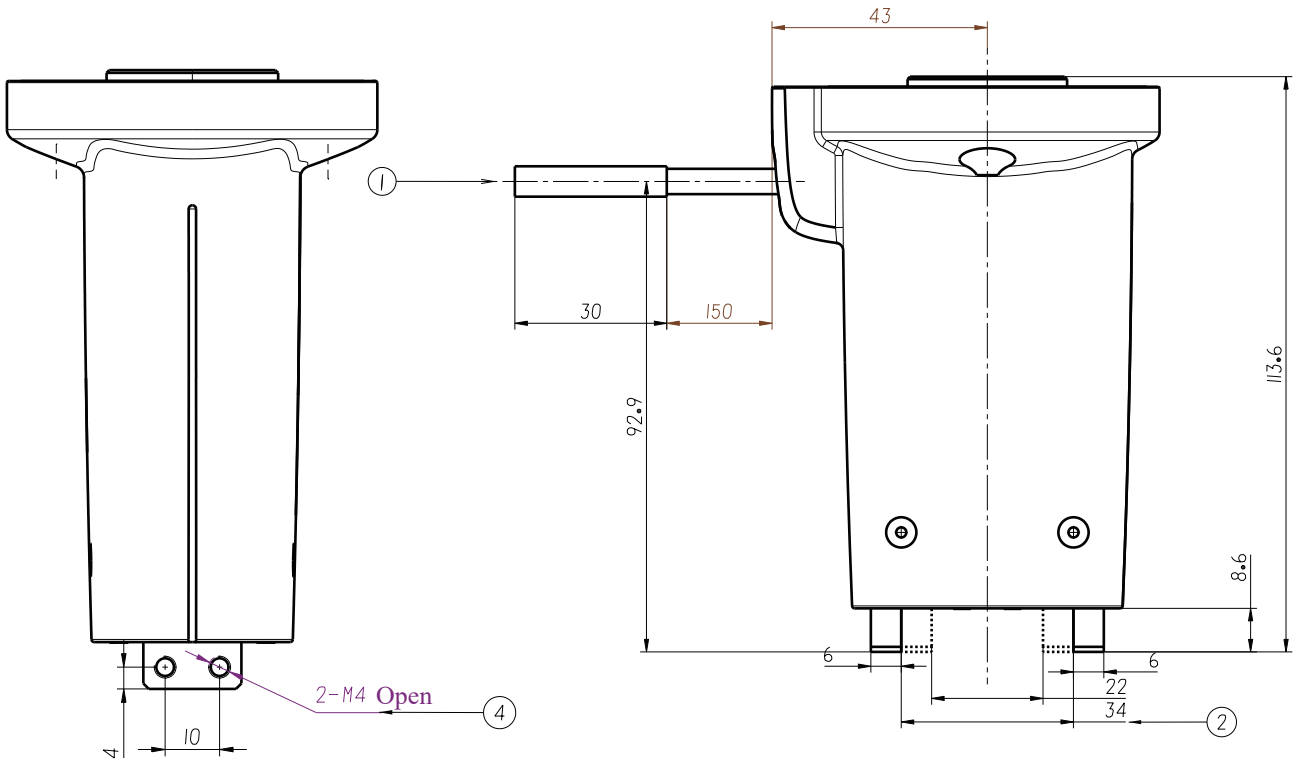


Apply for scenes without air source (e.g. laboratory, hospital)

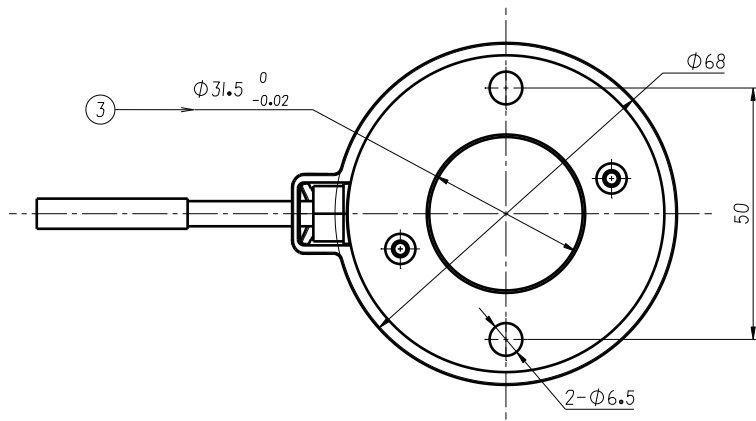
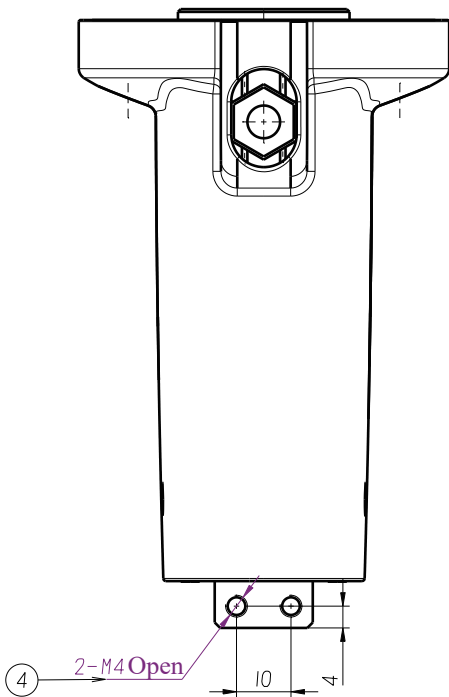
Specification Parameters

Model No. Z-EFG-L	Parameter
Total stroke	12mm
Gripping force	30N
Recommended gripping weight	0.5kg
Transmission mode	Gear rack + Roller ball
Grease replenishment of moving components	Every six months or 1 million movements / time
One-way stroke motion time	0.2s
Operating temperature range	5-55°C
Operating humidity range	RH35-80 (No frost)
Motion mode	Two fingers move horizontally
Stroke control	Non-adjustable
Clamping force adjustment	Non-adjustable
Weight	0.4kg
Dimensions (L*W*H)	68*68*113.6mm
Controller placement	Built-in
Power	5W
Motor type	DC brushless
Rated Voltage	24V
Peak current	1A
Standby current	0.02A
Adaptable six-axis robot arm	UR, Aubo

Dimension Installation Diagram



- ① RKMV8-354
- ② The stroke of the electric gripper is 12mm
- ③ For the installation position, use two M6 screws to connect with the flange at the end of the UR robot arm.
- ④ Installation position, gripper installation position



Wire Sequence Description (NPN)

Black Wire	Six-axis robot arm	Function	Description	Remarks
Pink	24V	24V	Power supply	Connected required
Grey	GND	GND	Power supply	Connected required
Orange	OUT1	Control signal (control clamping)	If the logic level of the controller is 24V, it can be connected directly to the I/O port. The internal is an optocoupler in series to pull up a 2.2K resistor to the internal 24V If the output is NPN type I/O, it can be directly connected to I/O If the controller output is PNP type, please choose PNP type gripper	Connected required
White	OUT2	Control signal (control loosening)	Same as control clamping	Connected required
Yellow	/	Signal output	<ul style="list-style-type: none"> · Selective connection, read-only and display the status of LED · Output open when motion ends. Output 0V when in motion 	Selective connection

Wire Sequence Description (PNP)

Black Wire	Grey Wire	Function	Description	Remarks
Pink	Red	24V	Power supply	Connected required
Grey	Black	GND	Power supply	Connected required
Orange	Green	Control signal (control clamping)	If the logic level of the controller is 24V, it can be connected directly to the I/O port. The internal is an optocoupler in series with a 2.2K resistor If the logic level of the controller is 24V PNP, it can be directly connected to the I/O port If the controller output is NPN type, please choose NPN type gripper	Connected required
White	White	Control signal (control loosening)	Same as control clamping	Connected required
Yellow	Yellow	Signal output	<ul style="list-style-type: none"> · Selective connection, read-only and display the status of LED · Output open when motion ends. Output 24V when in motion 	Selective connection

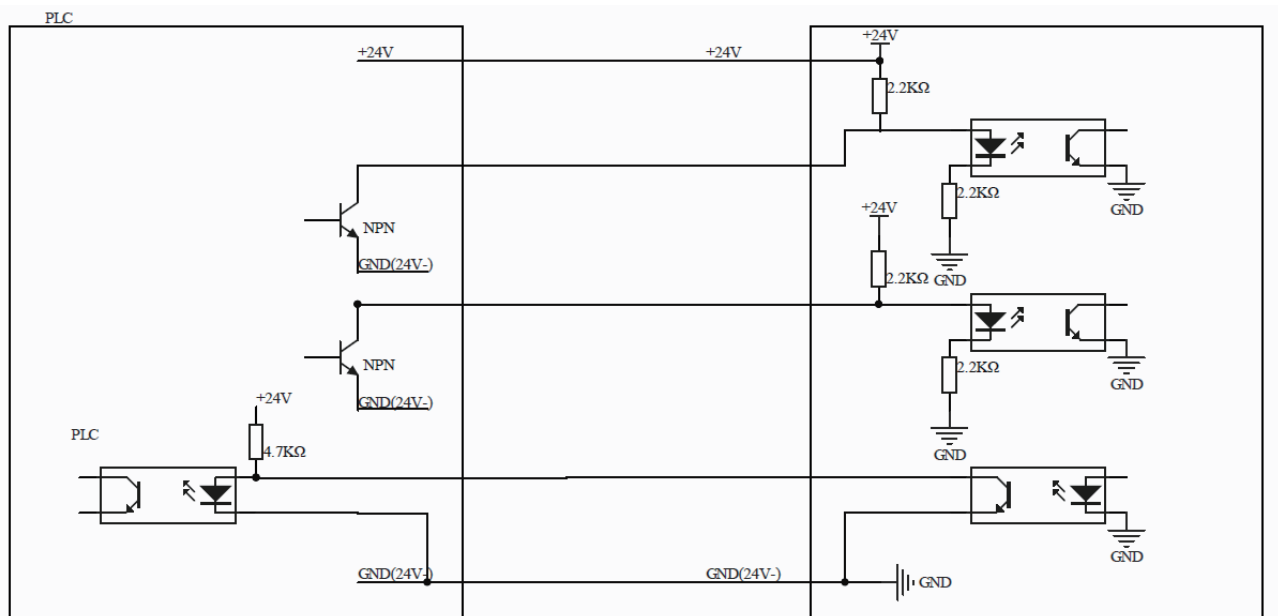
Caution

Among the wires that must be connected are, +24V, GND, Control signal (control clamping), Control signal (control loosening)

Electrical Parameters

- Rated voltage 24±2V
- Current 0.2A
- Peak current 1A

When the control clamping or the control opening are both valid or invalid, the gripper has no action and no force.



Wiring diagram

Z-EFG-L Output Wire Physical Diagram

