

Station / Air-Operated

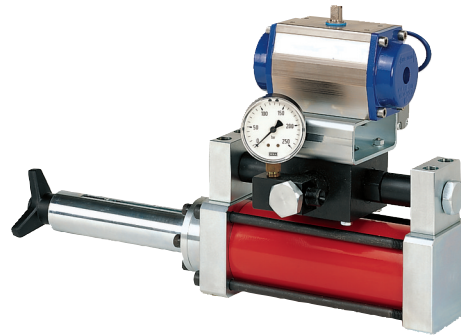
4190500

Model Station / Air-Operated

Construction Standard

Type

Version 30.0 - 500 ccm



Description

Metering Valve Stations with multi turn actuators are ideal suitable for large-scale metering operations, e. g. for filling Roller bearings or other large Bearings or Gear boxes.

The metering tolerance is maintained to better than +/- 2% in the middle range of dosage volume. The output can be adjusted continuously by hand. With the pneumatic-driven switch-over on top of the valve you can start the metering process. A pressure gauge shows you the right inlet pressure.

Spare Parts:

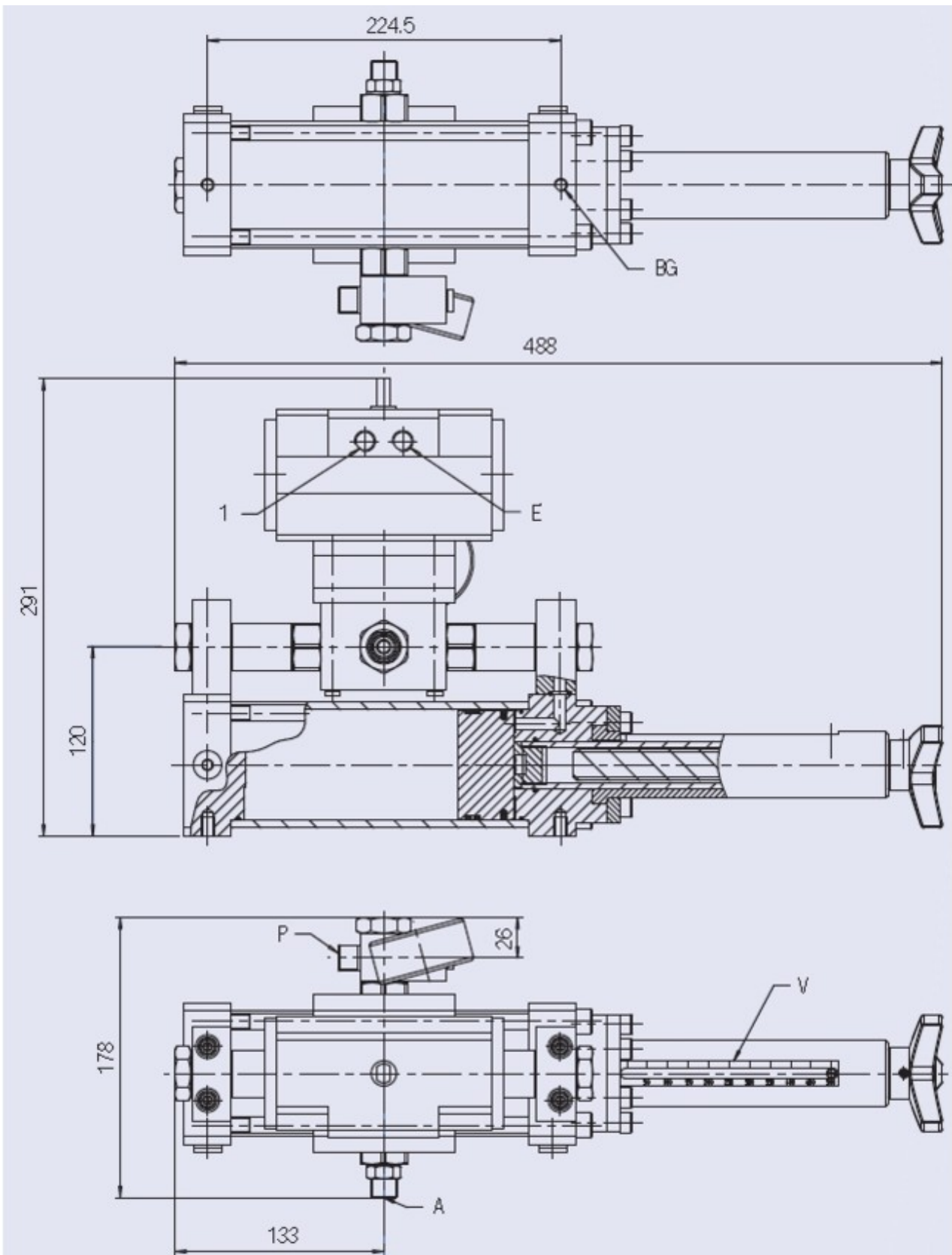
Description	Article-No.
Seal Kit	4190900



You will find more information in the downloads section under "Spare Parts List"

Technical Data





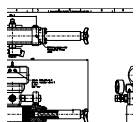
Dimensioned sketch Metering Station 4190500

- A = Druckanschluss A, G 3/8" (AGR) / Pressure Connection A, 3/8" BSP (AGR)
P = Druckanschluss P, G 3/8" (AGR) / Pressure Connection P, 3/8" BSP (AGR)
V = Mengenanzeige (cm³) / Volume Indicator (cm³)
BG = Befestigungsgewinde M8x15 / Fastening Thread 8x15
E = Pneum. Entlüftung E, G 1/4" / Pneum. Release Valve E, 1/4" BSP
1 = Pneum. Anschluss 1, G 1/4" / Pneum. Connection 1, 1/4" BSP

4190500

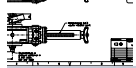
Model	Station
Construction type	Standard
Dispensing range (ccm)	30.0 - 500.0
Weight (kg)	17.0
Connection (Medium) External Thread P	3/8" BSP
Pressure output A	3/8" BSP
Fastening thread	2 x M8
Max. pressure (bar)	150
Pressure Out (bar)	150
Min. operating air pressure (bar)	5.0
Optimum operating air pressure (bar)	6.0
Max. operating air pressure (bar)	7.0
Specification for operation medium	Lubricants up to NLGI 3 / max. 1'000'000 m Pa.s

Downloads



Dimensioned Sketch

[Download PDF, 0.4 MB](#)



Spare Parts List

[Download PDF, 0.4 MB](#)

