

Station / Manual-Operated

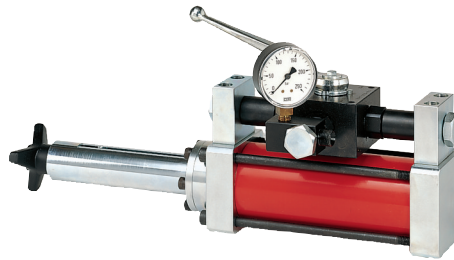
4190000

Model Station / Manual-
Operated

Construction Standard

Type

Version 30.0 - 500 ccm



Description

Metering Valve Stations with Manual Adjustment are ideal suitable for large-scale metering operations, e.g. for filling Roller bearings or other large Bearings or Gear boxes.

The metering tolerance is maintained to better than +/- 2% in the middle range of dosage volume. The output can be adjusted continuously by hand. With the hand operated switch on top of the valve you can start the metering process. A pressure gauge shows you the right inlet pressure.

Spare Parts:

Description	Article-No.
Seal Kit	4190900



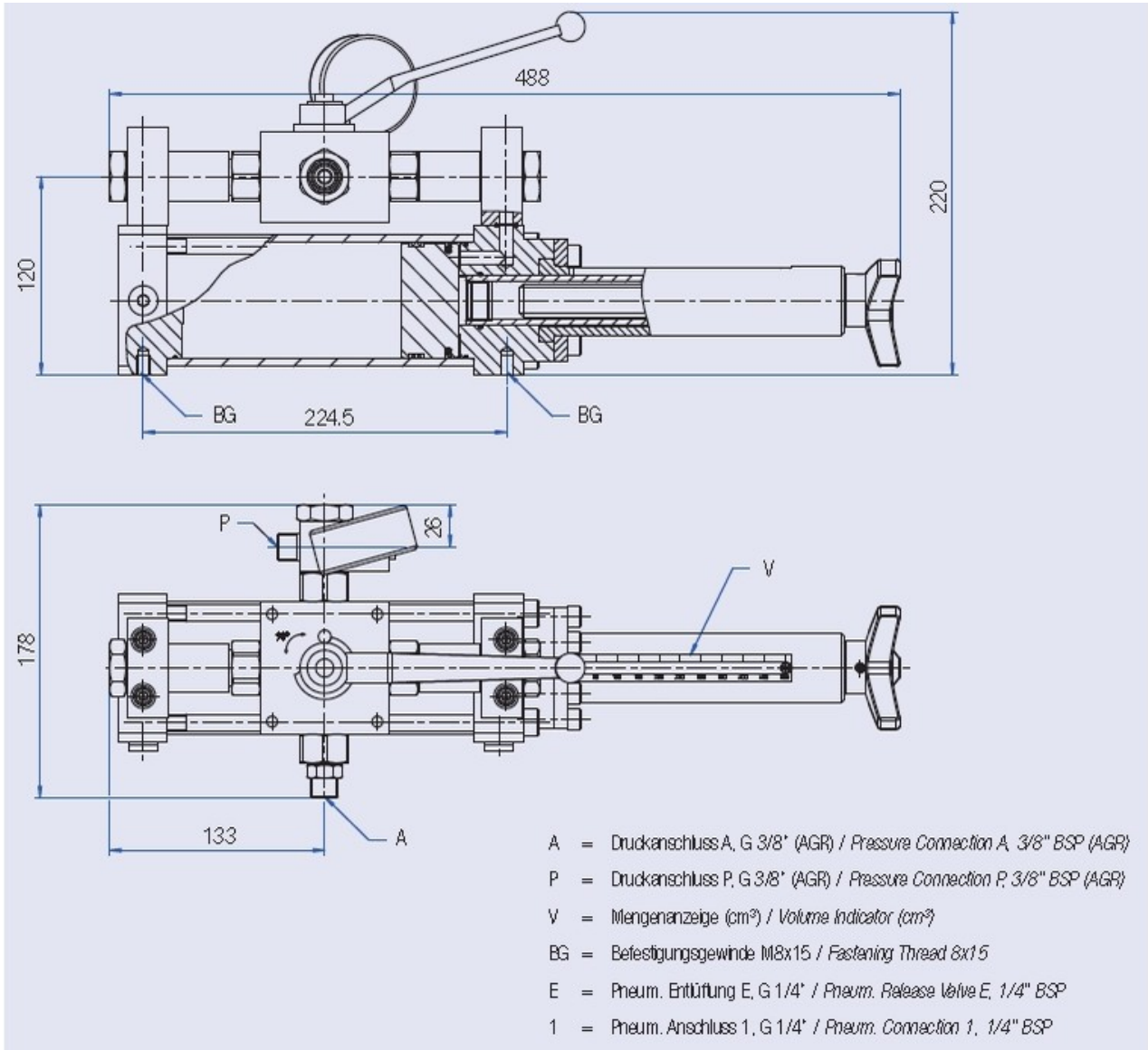
You will find more information in the downloads section under "Spare



Parts List"



Technical Data



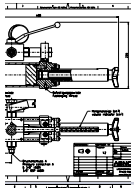
Dimensioned sketch Metering Station 4190000

	4190000
Model	Station
Construction type	Standard
Dispensing range (ccm)	30.0 - 500.0
Weight (kg)	14.6
Connection (Medium) External Thread P	3/8" BSP
Pressure output A	3/8" BSP



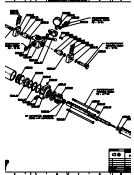
Fastening thread	2 x M8
Max. pressure (bar)	150
Pressure Out (bar)	150
Specification for operation medium	Lubricants up to NLGI 3 / max. 1'000'000 m Pa.s

Downloads



Dimensioned Sketch

Download PDF, 0.2 MB



Spare Parts List

Download PDF, 0.4 MB
