

Can Pumps AXKP / Cartridge Pumps AXCP

00094XX

Model	AXCP1-SXX-DIN1284
Construction Type	V3.0
Version	Cartridge according to DIN1284



Description

The AXCP1-S compressed air grease supply system with the compact design is ideal for feeding expensive lubricants from cartridges according to DIN1284, if a space-saving solution at low cost is required.

ABNOX metering valves with handgrip can be connected easily, quickly and directly to the pump by means of a high-pressure hose.

Optionally, the cartridge pump can be started and stopped via an electrically controlled directional control valve. With the electrical empty signal, which is also optionally available, can be used to detect when the cartridge should be changed.

Character features of ABNOX Cartridge Pump AXCP1-SXX-DIN1284:

- Compact design
- Supply direct from cartridge DIN1284
- Simple and quick cartridge change

- Long life time product
- Several upgrading options

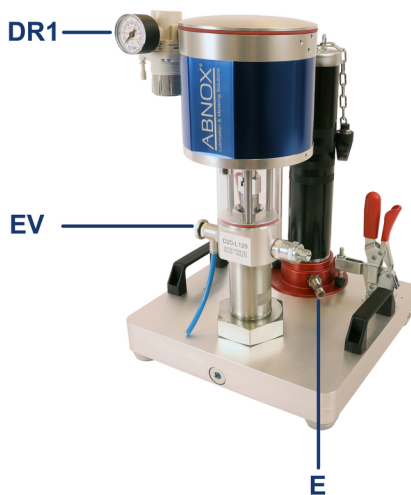
Pressure Ratio AXCP1-SXX-DIN1284

	Pressure Ratio	Article Number
AXCP1-S25-DIN1284	25:1	0009416
AXCP1-S60-DIN1284	60:1	0011429

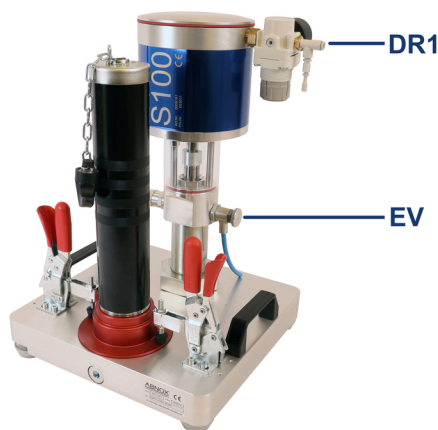
Upgrading options for AXCP1-SXX-DIN1284



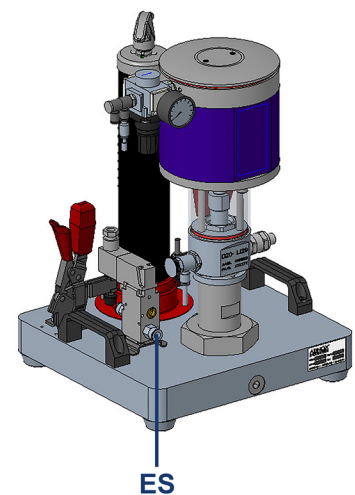
Upgrading options	Article No.
External start (ES) / electric-operated 3/2-way valve size BSP 1/4" with support	0011459
Pressure reducing valve 0-10 bar with fittings and connection for metering valve with handgrip (DR1)	0008699
Pressure release valve 0-10 bar with water separator/ maintenance unit (DR2)	0006909
Air release valve (EV) directly on the lubrication pump AXSP	0006207
Air outlet block (EB) 1/4" BSP with pressure gauge 400 bar and with air release valve "EV"	0008717
Electric low level indicator „container empty“ (E) M12x1, 10-30 V, 0.2 A, IP 67	0011458



0008699 Option "DR1"



0006909 Option "DR2"



0008717 Option "EB"



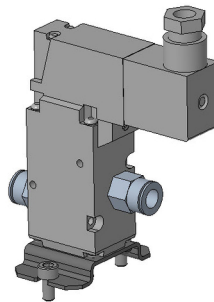
0006207 Option "EV"



0011459 Option "ES"



0011458 Option "E"



Type Code for Cartridge Pump AXCP

Cartridge Pump AXCP - - - **DIN 1284** - - - - (V3.0)

Frame expansion option:
 ES = External start (3/2 way valve electrically operated)

Regulator expansion option:
 DR1 = Pressure reducing valve
 DR2 = Pressure reducing valve and air service unit
 000 = Without

Pump expansion option:
 EV = Air release valve AXSP
 EB = Air outlet block with pressure gauge and with air release valve EV
 00 = Without

Pneumatic signal expansion option:
 E = Electrical empty indicator
 0 = Without

Piston seal (lip seal):
for cartridges DIN 1284

Pressure ratio:
 S25 = Pressure ratio 25:1
 S60 = Pressure ratio 60:1

Frame size:
 1 = Cartridge 400 gr. (DIN 1284)

Type Code for AXCP

Technical Data



	AXCP1-S25-DIN1284	AXCP1-S60-DIN1284
Article Number	0009416	0011429
Pressure ratio	25:1	60:1
Container	Cartridge according to DIN 1284	Cartridge according to DIN 1284
Suction tube (mm)	32	32
Min. / max. temperature (°C)	10/40	10/40
Specification for operation medium	Lubrication up to NLGI 3/	Lubrication up to NLGI 3/
Min. / max. inlet operating pressure (bar)	4/10	4/10
Optimal inlet operating pressure (bar)	6	6
Air Quality Standards	ISO 8573-1:2020 [6:4:4]	ISO 8573-1:2020 [6:4:4]
Output pressure (medium) at operating pressure 6 bar (bar)	150	360
Output pressure (medium) at operating pressure 10 bar (bar)	250	600
Delivery rate per double stroke (cm ³)	31	13
Delivery rate at pump outlet (cm ³ /min)	1'500	700
Max. air consumption (l/min.)	180	180
Connection (compressed air) internal thread	1/4" BSP	1/4" BSP
Connection (medium) external thread	1/4" BSP	1/4" BSP



Downloads



Operating Manual

Download PDF, 1.9 MB

Dimensioned Sketch

Download PDF, 0.7 MB

